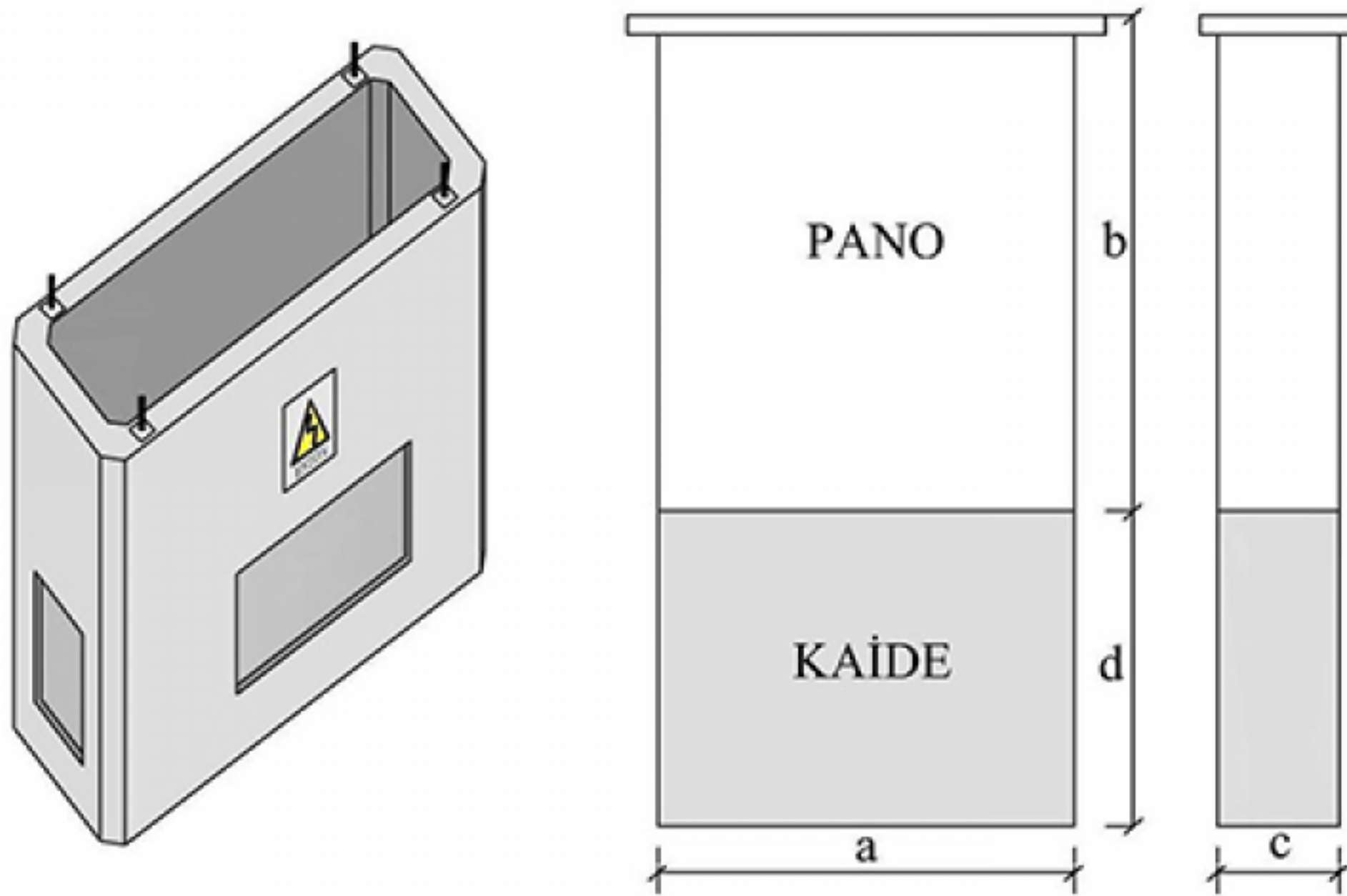
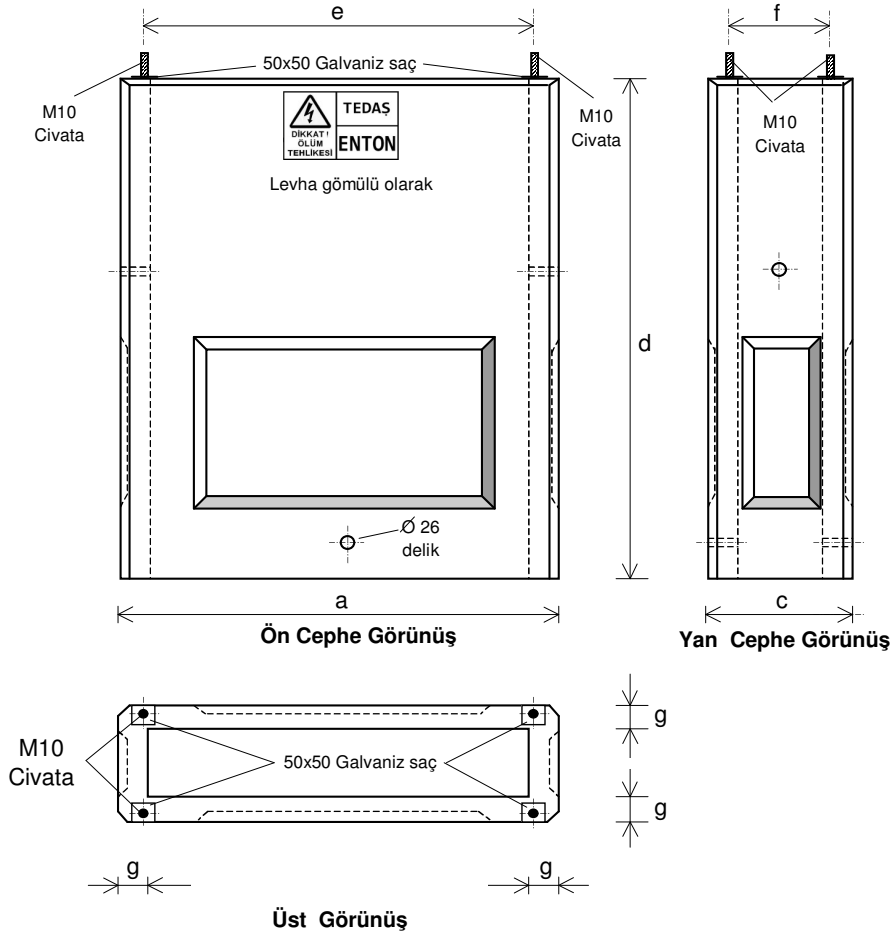


BETON PANO KAİDESİ



	a (mm)	b (mm)	c (mm)	d (mm)
Tip 1	550	1000	350	1000
Tip 2	900	1000	400	1000
Tip 3	750	1000	350	1000



Ö L Ç Ü L E R (mm)						
	a	c	d	e	f	g
Tip 1	550	350	1000	350	300	100
Tip 2	900	400	1000	700	350	100
Tip 3	750	350	1000	550	300	100